



## I-87058

8-ch Isolated DI (80 ~ 250 V<sub>AC</sub>/V<sub>DC</sub>) Module

## I-87058-G

### Features

- 8-channel AC/DC Digital Input
- Low Pass Filter
- Photocouple Isolation
- All Digital Channels Input can be used as Counter
- I/O LED Display
- ±4 kV ESD Protection
- 5000 V<sub>rms</sub> Intra-module Isolation
- 2 kV Channel-to-Channel Isolation
- Overvoltage Protection



### Introduction

The I-87058 is an 8-channel AC/DC digital input module with high voltage isolation. The ON voltage level for the module range can be between 80 ~ 250 V<sub>AC</sub>/V<sub>DC</sub>, and all DI channels are also able to be used as 16-bit counters. The I-87058 include 8 LED indicators that can be used monitor DI channel status. 4 kV ESD protection and 5000 V<sub>rms</sub> intra-module isolation are standard.

### Applications

- Building Automation
- Machine Automation
- Remote Diagnosis
- Factory Automation
- Remote Maintenance
- Testing Equipment

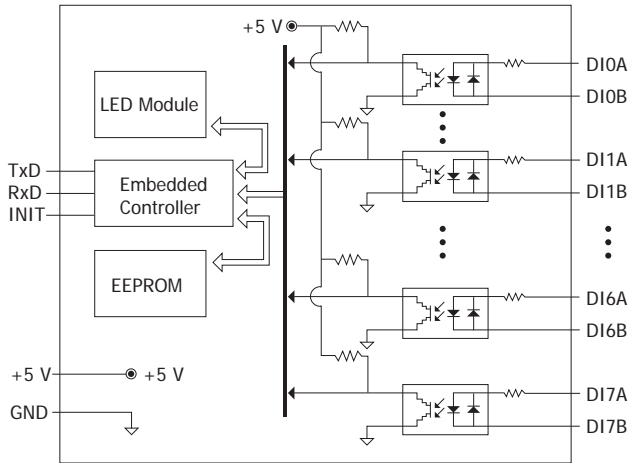
### System Specifications

CPU Module	
Watchdog Timer	Yes, Module (1.6 Seconds), Communication (Programmable)
Isolation	
Intra-module Isolation	5000 V <sub>rms</sub>
LED Indicators	
Status	1 x Power and Communication 8 x I/O
COM Ports	
Baud Rate	115200 bps
Data Format	N, 8, 1
Protocol	DCON
Power	
Power Consumption	0.5 W Max.
Mechanical	
Dimensions (W x L x H)	31 mm x 116 mm x 88 mm
Environment	
Operating Temperature	-25 ~ +75 °C
Storage Temperature	-30 ~ +75 °C
Humidity	5 ~ 95% RH, Non-condensing

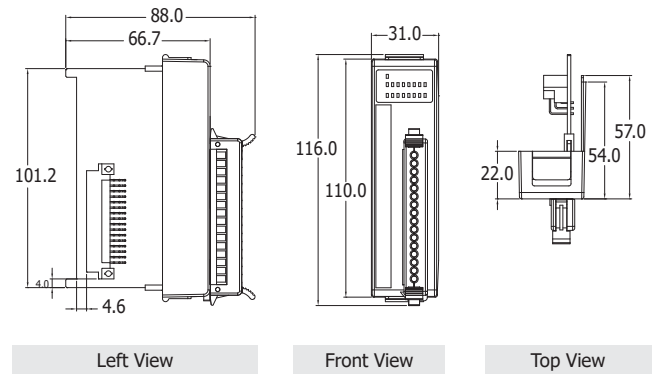
### I/O Specifications

Digital Input	
Low Pass Filter	Yes
Digital Input/Counter	
Channels	8
Type	Differential
Wet Contact, ON Voltage Level	80 ~ 250 V <sub>AC</sub> 80 ~ 250 V <sub>DC</sub>
Wet Contact, OFF Voltage Level	30 V <sub>AC</sub> /V <sub>DC</sub> Max.
Max. Counts	16-bit (65535)
Frequency	100 Hz
Min. Pulse Width	5 ms
Input Impedance	68 KΩ, 2 W
Overvoltage Protection	300 V <sub>AC</sub> /V <sub>DC</sub> Max.
Channel-to-Channel Isolation	Yes, 2 kV

## Internal I/O Structure



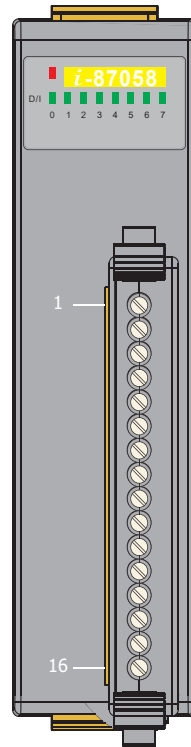
## Dimensions (Units: mm)



## Wire Connections

Digital Input/Counter	ON State Readback as 1	OFF State Readback as 0
AC Digital Input	80 ~ 250 VAC	OPEN or <30 VAC Max.
DC Digital Input	80 ~ 250 VDC	OPEN or <30 VDC Max.

## Pin Assignments



Terminal No.	Pin Assignment
01	DI0A
02	DI0B
03	DI1A
04	DI1B
05	DI2A
06	DI2B
07	DI3A
08	DI3B
09	DI4A
10	DI4B
11	DI5A
12	DI5B
13	DI6A
14	DI6B
15	DI7A
16	DI7B

## Ordering Information

<b>I-87058 CR</b>	8-ch Isolated DI (80 ~ 250 V <sub>AC</sub> /V <sub>DC</sub> ) Module (Blue Cover) (RoHS)
<b>I-87058-G CR</b>	8-ch Isolated DI (80 ~ 250 V <sub>AC</sub> /V <sub>DC</sub> ) Module (Gray Cover) (RoHS)